



Fig. 9, The Embarcadero - San Francisco, California
415-421-2680 fax 415-421-0777

Tuan & Robinson
Structural Engineers, Inc.
221 Main Street, Suite 545
San Francisco, California 94105
TEL 415 957 2480 FAX 415 957 2483

NO.	DESCRIPTION	DATE
REVISIONS		

BOK KAI TEMPLE

TEMPORARY STABILIZATION

MARYSVILLE CALIFORNIA

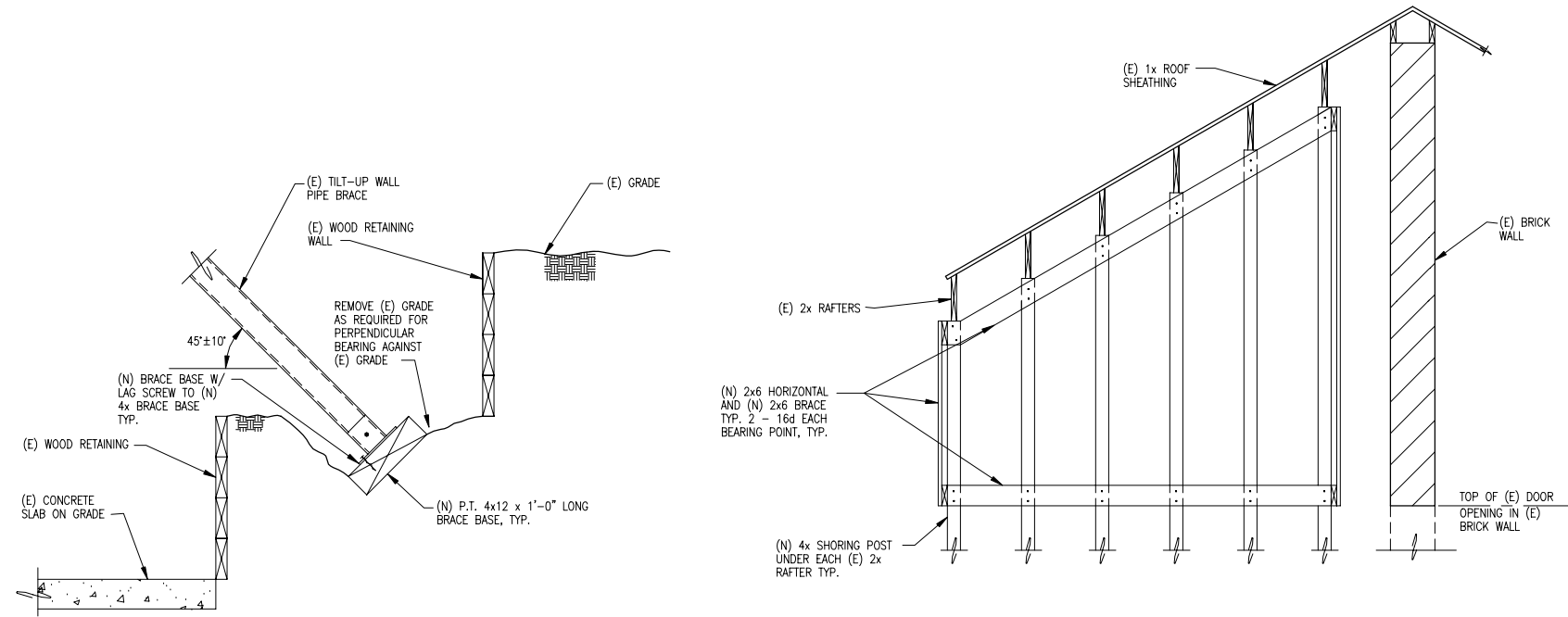
SHEET TITLE STRUCTURAL DETAILS

ISSUANCE PERMIT SET
DATE 04-30-02

PROJ. NO. 02000
DRAWN TT
CHECKED ET

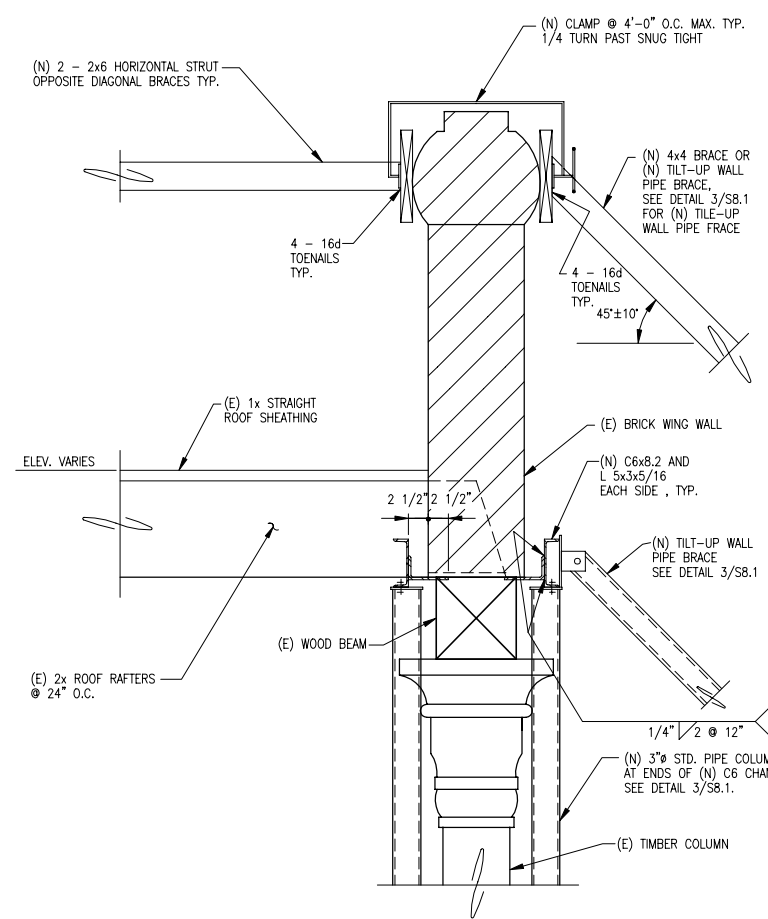


DRAWING NO.
S8.1
SHEET OF 00

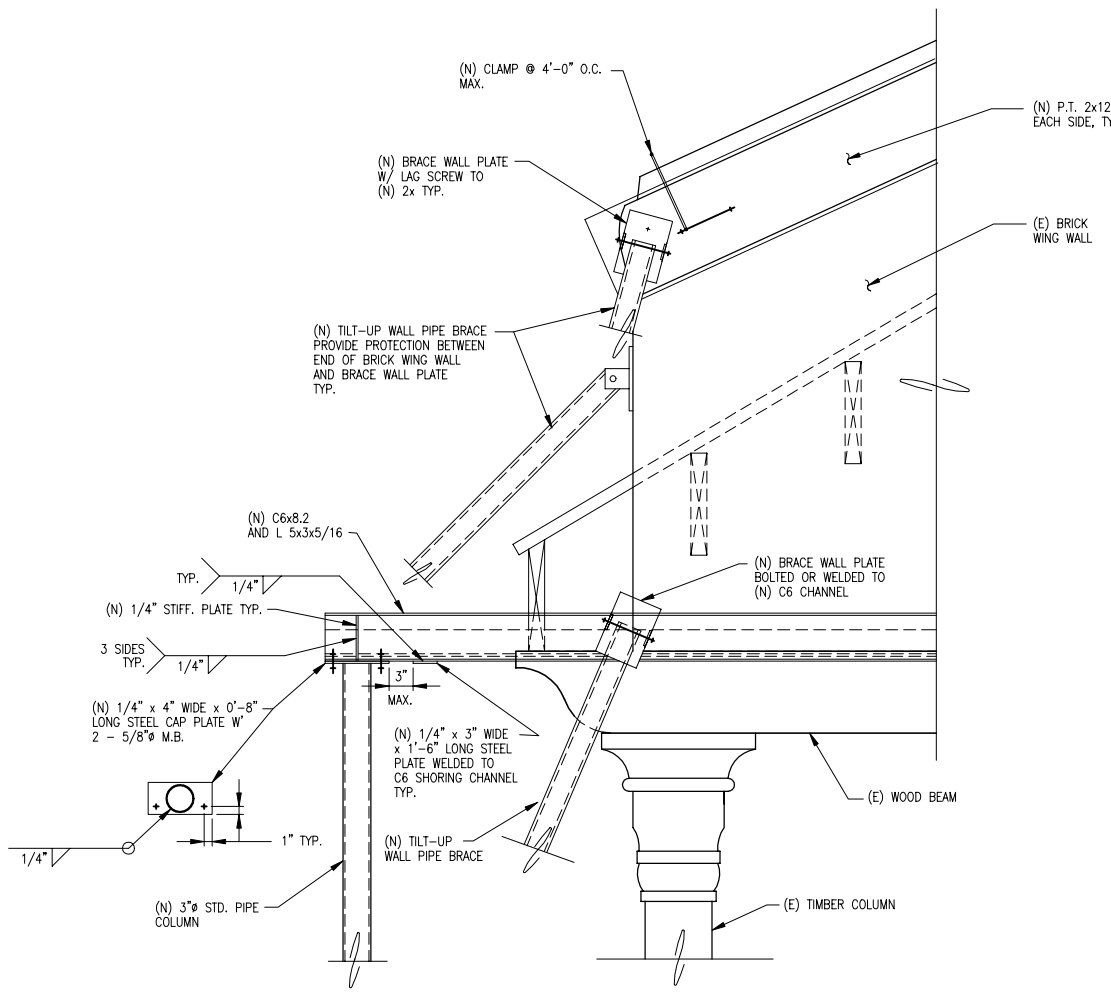


2 1/2" = 1'-0"

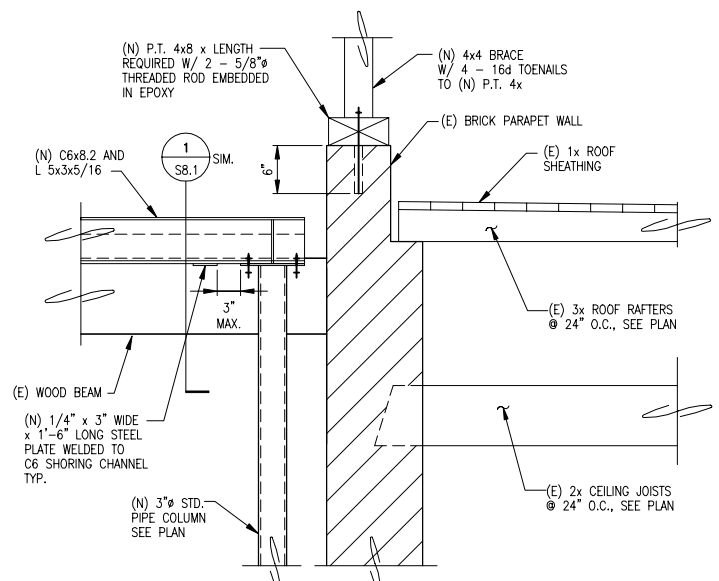
4 1" = 1'-0"



1 1" = 1'-0"



3 1" = 1'-0"



5 1" = 1'-0"

© ARCHITECTURAL RESOURCES GROUP